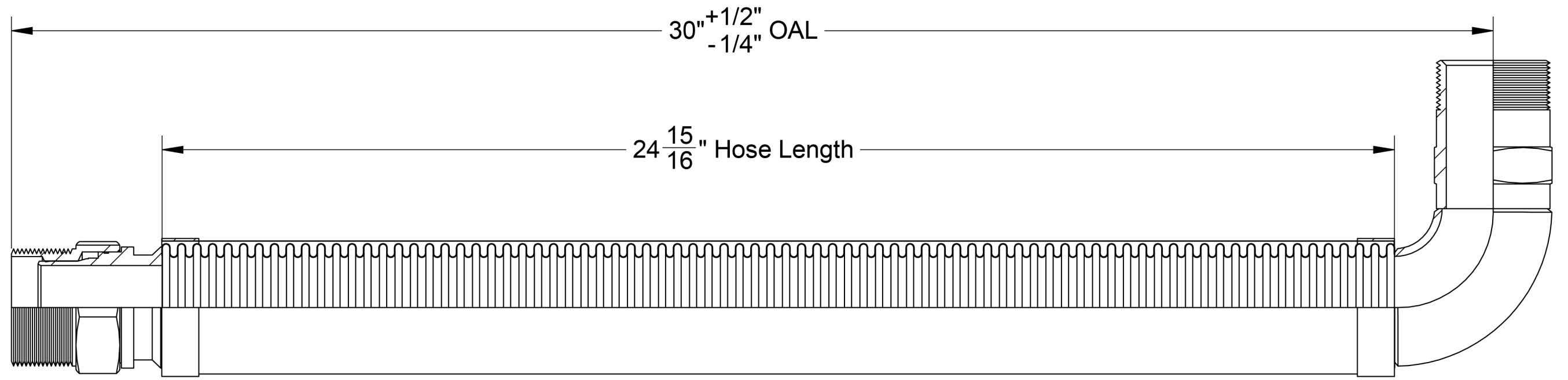
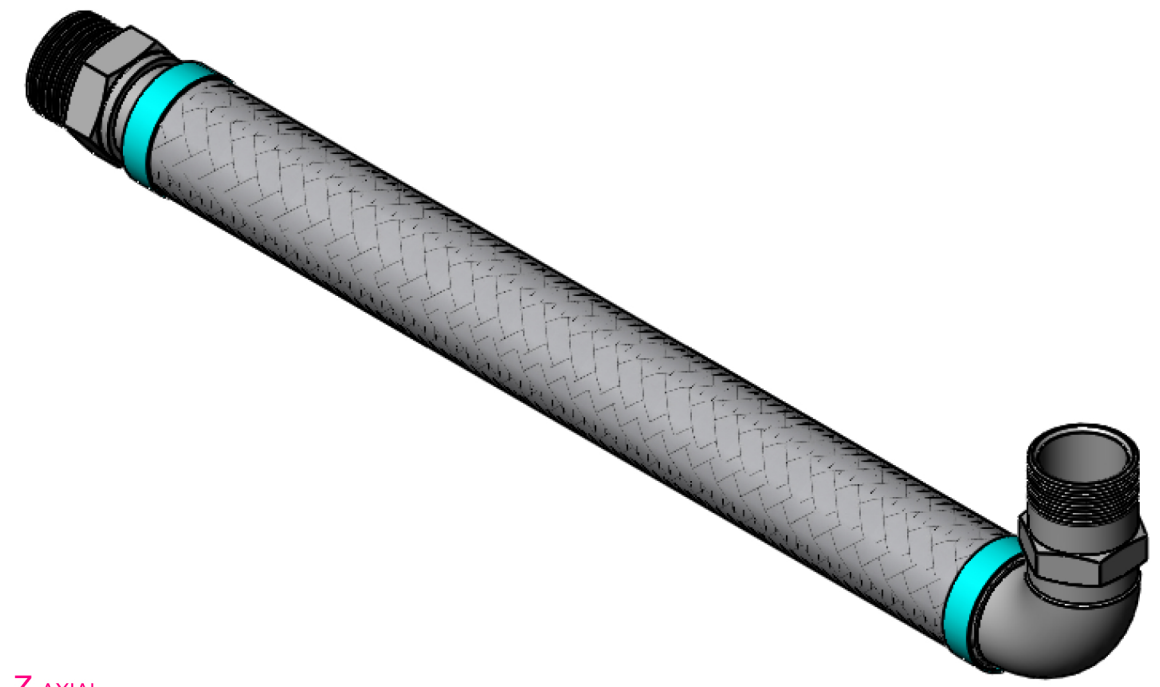


8 7 6 5 4 3 2 1



D
C
B
A



ITEM #	QTY.	PART NUMBER	DESCRIPTION	MATERIAL	WEIGHT
1	1	HOSE	300 Series Stainless HYDROFORMED Corrugated Hose	Stainless Steel	1.42
2	1	BRAID	300 Series Stainless Steel	Stainless Steel	0.12
3	2	BRAID COLLAR	0.05" Thick	Stainless Steel	0.09
4	1	2" MALE SWIVEL	2" Male Swivel, 2"x11-1/2" Thread, 2.38" Hex	Carbon Steel	0.93
5	1	2" ELBOW	2" Short Radius Elbow, Sch. 40	Carbon Steel	0.52
6	1	2" MALE	2" Male, 2"x11-1/2" Thread, 2.38" Hex	Carbon Steel	1.18

		HOSE MASTER Inc. 1233 East 222nd Street • Cleveland, Ohio 44117 (800) 221-2319 • Fax: (216) 481-7557 • www.hosemaster.com Locations: Cleveland • Houston		Registered to: ISO 9001 : 2000
		Customer: Hose Master Inc.		Prepared By: kannk
Projection:	Reference: Fire-Shield - 2" Male Swivel x 2" 90 Degree Male x 30 " OAL	CALC. WEIGHT: 5 lbs.	Date: 9/24/2009	
Description: 2" ID x 30" OAL 300 Series Stainless HYDROFORMED Corrugated Hose covered by 300 Series Stainless Braid. UL Approved 2" Male Swivel Connector x 2" ID 90 Degree Male Connector				
Drawing #: FSSME0200x30			Rev.: -	SHEET 1 OF 1

REVISIONS			
REV.	DESCRIPTION	DATE	APPROVED
8			
7			
6			

8 7 6 5 4 3 2 1